

NZ Granulators for secondary grinding



The small
to medium
range Granulators



The NZ Series Granulators for small and medium applications

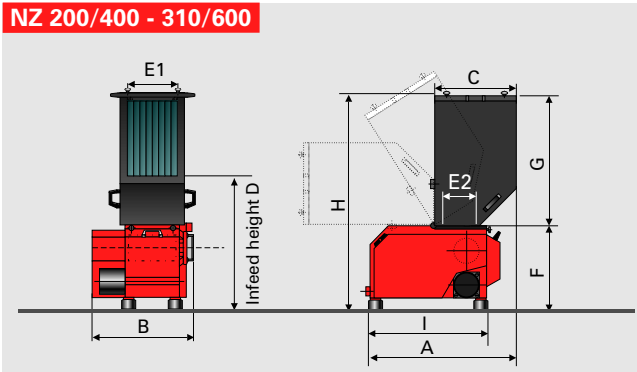
NZ Granulators are the economical way to grind almost all kinds of plastics including film, rigid plastics, paper, wood and other materials with the result of

consistent granulate with a minimum of fines and dust. The NZ is often provided in conjunction with our WLK-Series (Pre-Shredder) in a combined system.

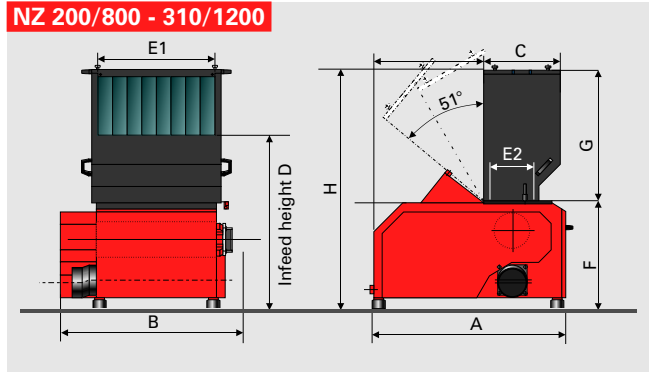
Technical Data

NZ 200/400 to NZ 310/120 Series

NZ 200/400 - 310/600



NZ 200/800 - 310/1200



Type NZ		200/400 (3)	200/600 (4)	310/600 (4S)	200/800 (6)	310/800 (6S)	310/1000 (10)	310/1200 (12)
Power	(hp):	15 / 20	25 / 30 / 40	20 / 25 / 30	25 / 30 / 40	30 / 40 / 50	40 / 50 / 60	50 / 60 / 75
	(kW):	11 / 15	18.5 / 22 / 30	15 / 18.5 / 22	18.5 / 22 / 30	22 / 30 / 37	30 / 37 / 45	37 / 45 / 55
Feed opening (inch):		15.7 x 9.4	23.6 x 9.4	23.6 x 13.7	31.5 x 9.4	31.5 x 13.7	39.3 x 13.7	47.2 x 13.7
	(mm):	400 x 240	600 x 240	600 x 350	800 x 240	800 x 350	1,000 x 350	1,200 x 350
Rotor length (inch / mm):		15.7 / 400	23.6 / 600	23.6 / 600	31.5 / 800	31.5 / 800	39.3 / 1,000	47.2 / 1,200
Rotor-Ø (inch / mm):		7.8 / 200	7.8 / 200	12.2 / 310	7.8 / 200	12.2 / 310	12.2 / 310	12.2 / 310
Rotor knives (piece x inch):		4 x 15.7	8 x 11.8	12 x 11.8	8 x 15.7	12 x 15.7	12x11.8 + 6x15.7	24 x 11.8
	(piece x mm):	4 x 400	8 x 300	12 x 300	8 x 400	12 x 400	12 x 300 + 6x 400	24 x 300
Stator knives (piece x inch):		2 x 15.7	2 x 23.6	2 x 23.6	2 x 31.5	2 x 31.5	2 x 39.3	2 x 47.2
	(piece x mm):	2 x 400	2 x 600	2 x 600	2 x 800	2 x 800	2 x 1,000	2 x 1,200
Connection-Ø (inch / mm):		8.0 / 200	8.0 / 200	10.0 / 250	8.0 / 200	10.0 / 250	10.0 / 250	10.0 / 250
Weight ca. (lbs / kg):		1,100 / 500	1,350 / 610	1,700 / 780	2,100 / 980	2,600 / 1,200	3,700 / 1,700	4,300 / 1,950
Size A (inch / mm):		46.0 / 1,170	46.0 / 1,170	65.7 / 1,670	46.0 / 1,170	65.7 / 1,670	65.7 / 1,670	65.7 / 1,670
Size B (inch / mm):		33.4 / 850	41.3 / 1,050	41.3 / 1,050	49.2 / 1,250	49.2 / 1,250	57 / 1,450	65.0 / 1,650
Size C (inch / mm):		25.6 / 650	25.6 / 650	25.6 / 650	25.6 / 650	25.6 / 650	25.6 / 650	25.6 / 650
Size D (inch / mm):		38.6 / 980	38.6 / 980	47.2 / 1,200	38.6 / 980	47.2 / 1,200	47.2 / 1,200	47.2 / 1,200
Size E1 x E2 (inch):		15.7 x 9.4	23.6 x 9.4	23.6 x 14.5	31.5 x 9.4	31.5 x 14.5	39.3 x 14.5	47.2 x 14.5
	(mm):	400 x 240	600 x 240	600 x 370	800 x 240	800 x 370	1,000 x 370	1,200 x 370
Size F (inch / mm):		26.7 / 680	26.7 / 680	35.4 / 900	26.7 / 680	35.4 / 900	35.4 / 900	35.4 / 900
Size G (inch / mm):		31.5 / 800	31.5 / 800	31.5 / 800	31.5 / 800	31.5 / 800	31.5 / 800	31.5 / 800
Size H (inch / mm):		58.2 / 1,480	58.2 / 1,480	66.9 / 1,700	58.2 / 1,480	66.9 / 1,700	66.9 / 1,700	66.9 / 1,700
Size I (inch / mm):		36.2 / 920	36.2 / 920	62.5 / 1,590	---	---	---	---
Sreensizes (inch / mm):		all types 0.12 to 0.47 (3 to 12)						

The NZ Granulator has a Multi-Blade Rotor with X-Cut design. This special rotor design allows vibration free cutting and lower power consumption for the most

efficient granulating. The Quick & Easy access of the screen minimizes downtime and makes knife changing easy.

WEIMA America, Inc.

3678 Centre Circle
Fort Mill, SC 29715

Phone: 803-802-7170

Fax: 803-802-7098

Internet: www.weimaamerica.com

E-mail: info@weimaamerica.com



With locations in

Ilsfeld, Germany

Ternberg, Austria

Northants, Great Britain

La Ferté s. Jouarre, France

and more than

50 sales offices worldwide!

Advanced technology for size reduction