



Single shaft shredder
1 series

Compact single-shaft shredder at an attractive price: **1 series**



WL 500



WL 700

The newly developed single-shaft shredders of the 1 series are especially popular with wood processing companies that generate smaller amounts of waste. Even in smaller wood processing companies, waste wood output can reach amounts that make it necessary to process it into wood chips.

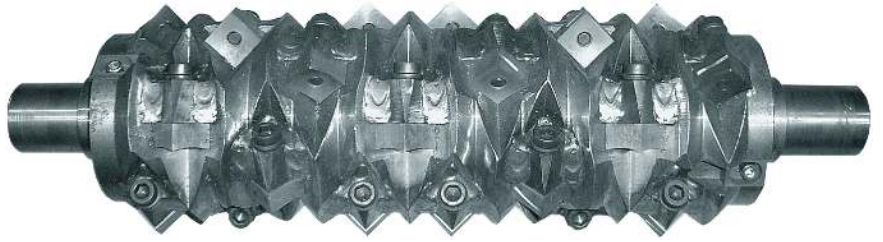
The 1 series chippers shred wood materials of all kinds, such as chipboard waste, MDF and solid woods – even extremely hard woods.



Economical shredder technology – offering reliability and high performance

Material is fed into the unit through a hopper. Rotor and stator blades shred the material and expel it through a screen below the rotor. The throughput rate, depending on grain size and material, is up to 3 m³/h.

The square, reversible knives are concave and have an edge length of 30 mm. The perforation diameter of the screens used is 10-30 mm.



Hydraulic unit for the pusher



Programmable Logic Controller



Screen basket



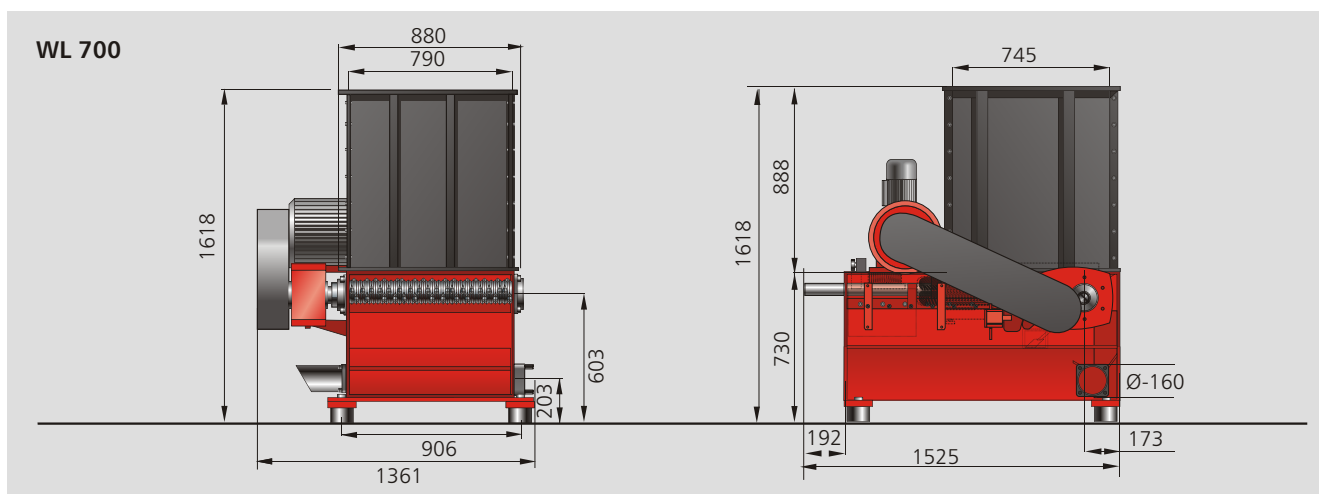
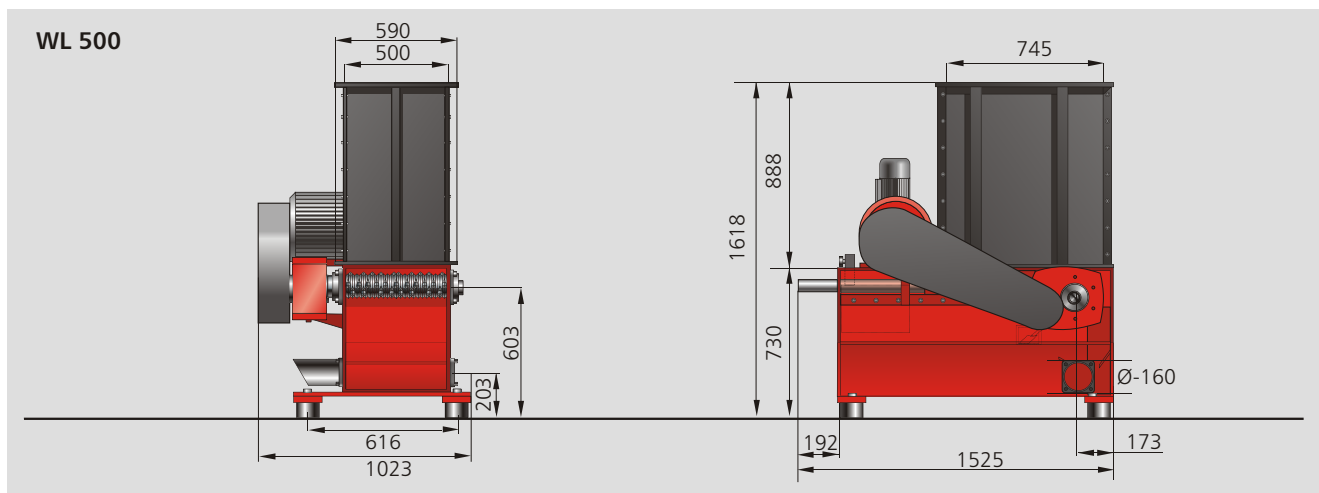
Optional: Material output with conveyor screw



Transmission and V-belts



Holding block for transmission



Specifications	WL 500	WL 700
Feed opening (mm)	500 x 745	790 x 745
Rotor-Ø (mm)	180	180
Rotor length (mm)	500	790
Rotor speed (RpM)	100	100
Motor performance (kW)	11	15
Number of knives (pcs.)	16 / 28	25 / 46
Weight (approx. kg)	800	1.000

Equipment

- V-Rotor
- Material feed hopper
- Throughput depends on material and compaction performance
- Screen hole diameter 10 - 30 mm
- Compact design
- Switch box with PLC

Special designs upon request.

Demonstrations and tests with your material can be arranged upon request in our testing facility

WEIMA Maschinenbau GmbH

Bustadt 6 - 10
 74360 Illfeld (Germany)
 Phone: +49 - (0)70 62 - 95 70-0
 Fax: +49 - (0)70 62 - 95 70-92
 info@weima.com
 www.weima.com

Sales Offices in:

Austria, Ternberg
 United Kingdom, Kent
 France, La Ferté s/s Jouarre
 Poland, Warsaw
 Moscow, Russia
 USA, Fort Mill, SC

