

The TORNADO

with WING-RAM...



The WING-RAM makes the DIFFERENCE **the NEW DIMENSION for your ADVANTAGE**

The TORNADO SINGLE-SHAFT-SHREDDER is designed for size reduction and proved for individual environmental applications worldwide. The ultimate technology for SHREDDING of FILM, FIBRES, PAPER, ELECTRONIC-SCRAP and other kind of plastic recyclable materials. Our Innovations

and engineering for shredding adapted to the requirements of our customers for special applications created the TORNADO and leaves nothing open.

TORNADO, the secret behind your success and business

The NEW DIMENSION from WEIMA

TORNADO with WING-RAM

Technical Data

TORNADO; designed and proved for individual applications in Environmental Solutions for SIZE REDUCTION.

The ultimate Technology for SHREDDING of film, waste and all kind of plastics and paper. The integrated and hydraulically movable frontwall (screens from 20 mm up to 150 mm) is designed for easy access and maintenance of screen, and rotorknives. V-Rotor (patented) and Flat-Rotor are available with different knife sizes and cutting devices.

The Rotor-SYSTEM can be upgraded with WATER-COOLING. The special guide pusher (WING-RAM) with the segmented ground and Turbo Hydraulic guarantees top-speed of the shredding process without any interruption or blocking/ jaming of the ram.

Professional Shredding Technology from WEIMA "better by design and performance"

The premium class of shredders for your APPLICATION

- Flat-ROTOR with welded or mounted knifeholders
- four times reversible knives
- partitioned screen inserts for easy maintenance and access
- hydraulically moveable screen-front
- WING-RAM with TURBO-HYDRAULIC (special guide pusher)
- SUPERCUT (adjustable counterknife)
- hydraulic clutch and security package
- large INFEED-HOPPER
- wear resistant machine frame and rotor
- PLC controlled machine and cutting action

INNOVATIONS for ECONOMICAL SOLUTIONS...



WT 10 S / 45 kW



WT 10 S / 45 kW (with Turbo-Hydraulic)



WT 20 XL / 90 kW (with Hydraulic-Screen)



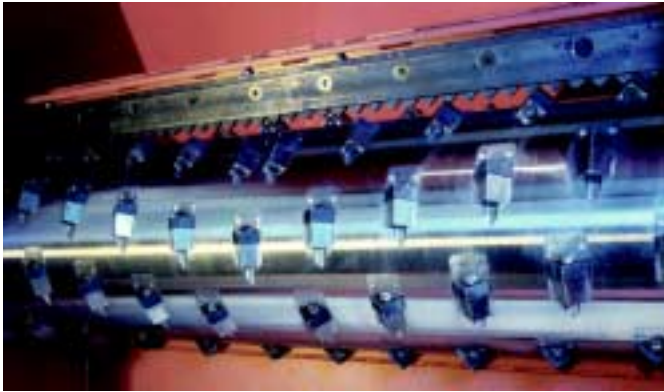
WT 20 XL / 90 kW (with Turbo-Hydraulic)

The NEW DIMENSION from WEIMA

TORNADO with WING-RAM



Technical Details



Flat Rotor with bolted knives and holders and overhead second counter knife



cutting chamber with WING-RAM and WEIMA-V-Rotor



WT 10/45 with extraction conveyor and metal detector

Applications

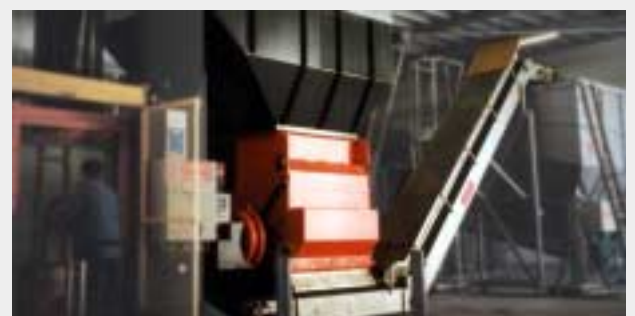
The TORNADO sets new standards in plastics shredding and is of compact design.

The range of shredding application with the TORNADO is always growing to meet your customers specific needs.

The WING-RAM operated TORNADO has been successful worldwide.



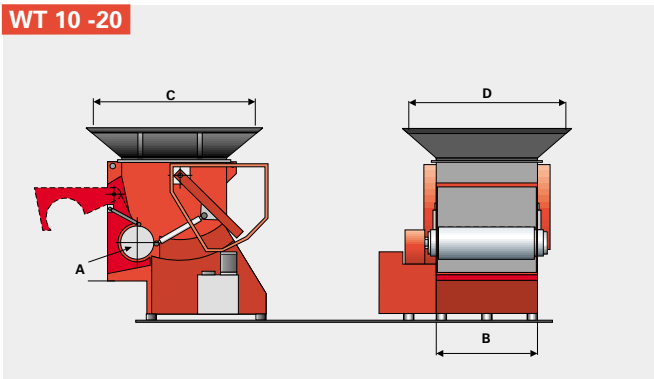
WT 15 / 90 with extended screen cover, for high volume film, low density material, lite filament, foil, film and fibre



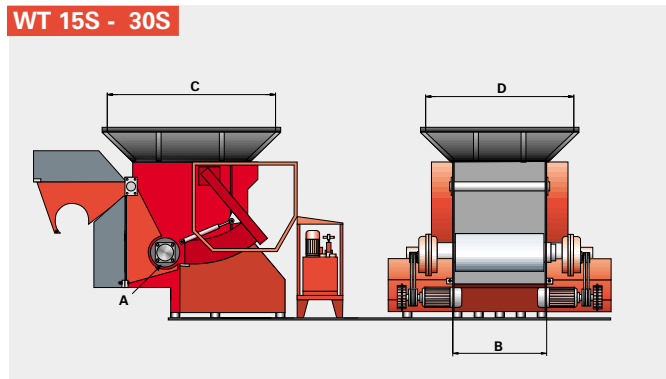
Technical Data

Series TORNADO

WT 10 -20



WT 15S - 30S



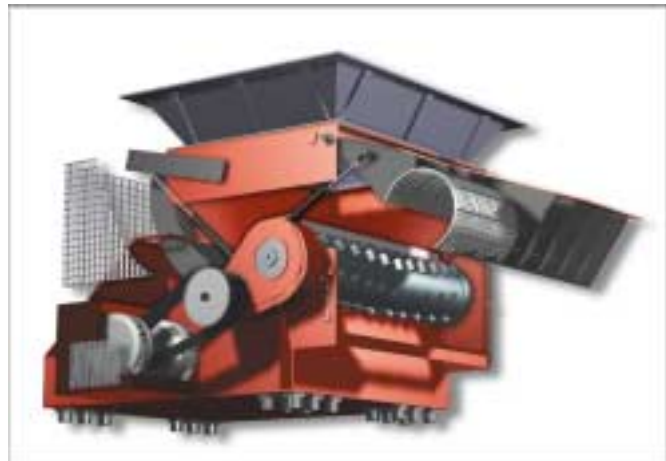
Type*	Rotor-Ø A in mm	Rotor-width B in mm	Hopper Open C x D in mm x mm	Screen size mm	Motor Power kW	Wight approx. kg
WT 10	368	1.000	1.200 x 1.400	15 - 100	45/55	4.500
WT 12	368	1.200	1.400 x 1.600	15 - 100	45/55/75	5.200
WT 15	368	1.500	1.400 x 2.200	15 - 100	55/75/90	8.700
WT 18	368	1.800	1.600 x 1.800	15 - 100	75/90/2 x55	10.000
WT 20	368	2.000	2.400 x 2.600	15 - 100	90/ 2 x 55/2 x90	10.000
WT 15 S	482/600	1.500	1.400 x 2.780	15 - 100	75/90/2 x55	10.000
WT 18 S	482/600	1.800	1.600 x 2.780	15 - 100	90/2 x55/2 x75	11.500
WT 20 S	482/600	2.000	2.400 x 2.780	15 - 100	90/2 x55/2 x75	12.000
WT 25 S	482/600	2.500	2.900 x 2.780	15 - 100	2 x55/2 x75/2 x90	14.500
WT 30 S	482/600	3.000	3.800 x 3.800	15 - 100	2 x75/2 x90/2 x110	18.000

* All machines are available with hydraulic drive and variable rotor-speed

Shredding Technology from WEIMA:

Profit from the experience of WEIMA: Over 20 years experience in machine construction, with thousands of successful projects and machine installations confirming the competence of WEIMA recycling technology. WEIMA has a wide product range, consisting of:

- Single shaft Shredder (WLK and Jumbo series)
- 2-shaft and 4-shaft Shredders (ZM and ZMK series)
- Granulators (NZ, WSL, SMW and T-Shark series)
- Accessories (Suction groups, conveyor belts, magnetic separation etc.)
- Special machines and turn-key installations



WEIMA Maschinenbau GmbH

Gewerbegebiet Bustadt
D - 74360 Ilfeld (Germany)

Phone: +49 (0) 70 62 / 95 70 - 0
Fax: +49 (0) 70 62 / 95 70 - 92
Internet: www.weima.com
E-Mail: info@weima.com

Your local Dealer: