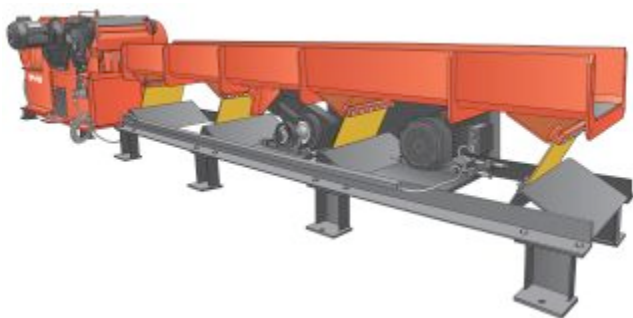


Having trouble viewing this email? [Click here](#)



Welcome to another issue of WEIMA's Crushing News. Let's face it, times are tough. And at WEIMA we plan to keep the economy moving! In celebration of our 10th anniversary we continue to offer special savings opportunities. This time it's on our in-stock horizontal shredding machines. So if you're in the market for a new shredder act now!. See below for details.

HOT SAVINGS: Special pricing on all in-stock horizontal shredders.



For a limited time we are significantly reducing prices on our in-stock horizontal shredders. This includes the Horizontal Beaver, Jaguar, Tiger & Leopard models. Please call your WEIMA sales representative today to discuss what options might be available for you. But hurry, these machines won't last long & will be sold on a first come, first serve basis.

Call the office today at 888-440-7170 to speak with your Regional Sales Manager:

Andrew White - West Coast Sales Manager

Al Andersen - Mid-West Sales Manager

Jeremy Boggs - Northeast Sales Manager

Bill Zoller - Southeast Sales Manager

Chad Ames - Canadian Sales Manager

3678 Centre Circle, Fort Mill, SC 29715
P: 888-440-7170 // F: 803-802-7098
www.weimaamerica.com

